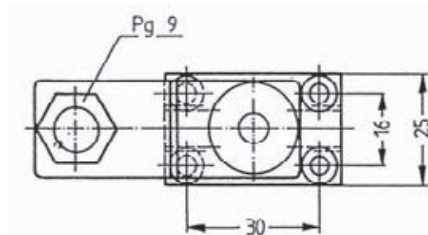
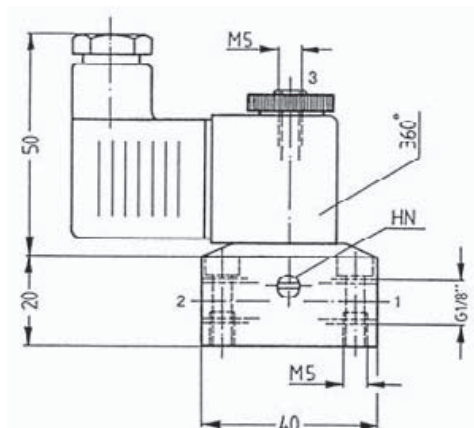
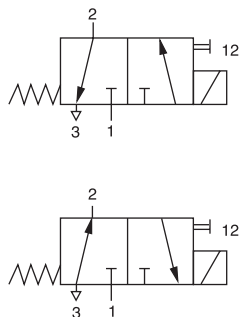


MS18 Vacuum control & Release directly operated with spring return

► Order no. **MS 18 310 - HN - 1**

- 1 : AC 115V
- 2 : AC 220V
- 3 : DC 24V



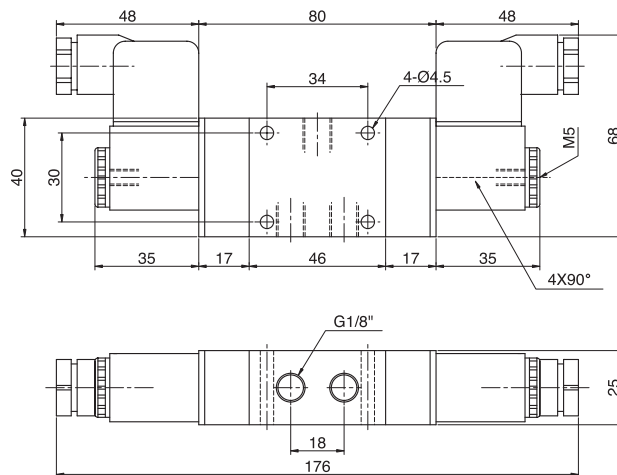
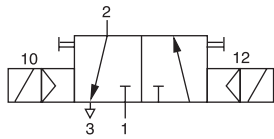
Operating specifications

Type	MS 18 310 - HN
Connection	G 1/8"
Nominal size	1,4 mm
Normal flow	56 NI/min
Pressure range	0 ~ 10bar
Response time at 6bar	on 10ms, off 12ms
Temperature range	-10°C ~ +70°C
Materials	● Body : Al anodized, plastic, inner parts : Al, brass, stainless steel ● Seals : NBR
Standard voltages	● DC : 12V, 24V, AC : 24V, 115V, 230V 50/60HZ
Power consumption	● DC : 4,2W, AC : 7,0/4,0 VA ● also DC : 12V, 24V with 2,2W (max. 8bar operating pressure)
Degree of protection	IP 65 according to VDE 0470 / EN 60529
Weight	0,150Kg

Air control

► Order no. **M 05 320 - HN - 1**

- 1 : AC 115V
- 2 : AC 220V
- 3 : DC 24V



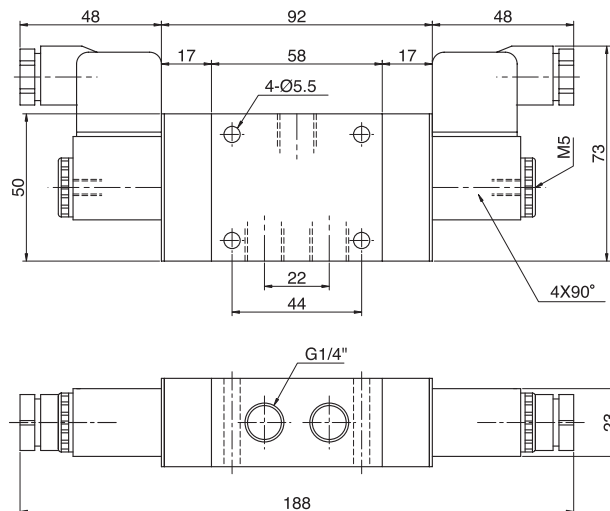
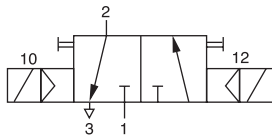
Operating specifications

Type	M 05 320 – HN
Connection	G 1/8"
Nominal size	6 mm
Normal flow	750 NI/min
Pressure range	2 ~ 10bar
Response time at 6bar	12ms
Temperature range	-10°C ~ +70°C
Materials	<ul style="list-style-type: none"> ● Body : Al anodized, plastic ● Inner parts : Al, brass, stainless steel ● Seals : NBR and POM
Standard voltages	<ul style="list-style-type: none"> ● DC : 12V, 24V ● AC : 24V, 115V, 230V 50/60Hz
Power consumption	<ul style="list-style-type: none"> ● DC : 4,2W, AC : 7,0/4,0 VA ● also DC : 12V, 24V with 2,2W (max. 8bar operating pressure)
Degree of protection	IP 65 according to VDE 0470 / EN 60529
Weight	0,4Kg

Air control

► Order no. **M 07 320 - HN - 1**

- 1 : AC 115V
- 2 : AC 220V
- 3 : DC 24V



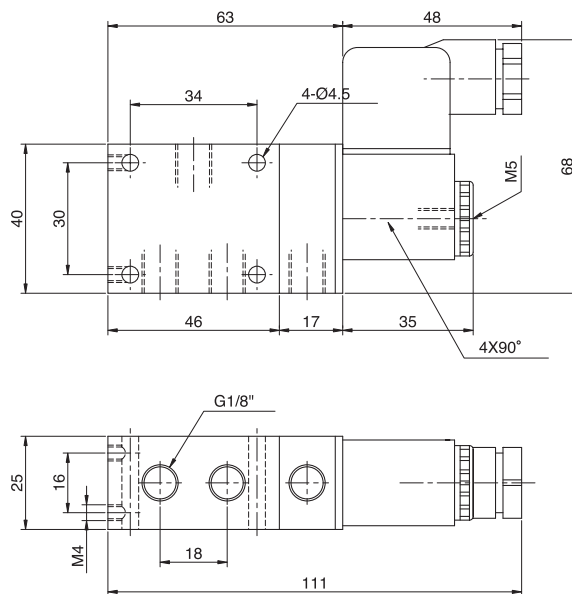
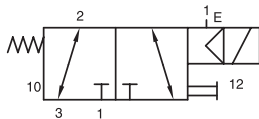
Operating specifications

Type	M 07 320 - HN
Connection	G 1/4"
Nominal size	9 mm
Normal flow	1580 NI/min
Pressure range	1,5 ~ 10bar
Response time at 6bar	14ms
Temperature range	-10°C ~ +70°C
Materials	<ul style="list-style-type: none"> ● Body : Al anodized, plastic ● Inner parts : Al, brass, stainless steel ● Seals : NBR and POM
Standard voltages	<ul style="list-style-type: none"> ● DC : 12V, 24V ● AC : 24V, 115V, 230V 50/60Hz
Power consumption	<ul style="list-style-type: none"> ● DC : 4,2W, AC : 7,0/4,0 VA ● also DC : 12V, 24V with 2,2W (max. 8bar operating pressure)
Degree of protection	IP 65 according to VDE 0470 / EN 60529
Weight	0,52Kg

Air control / Vacuum Control

► Order no. **ME 05 312 - HN - 1**

- 1 : AC 115V
- 2 : AC 220V
- 3 : DC 24V



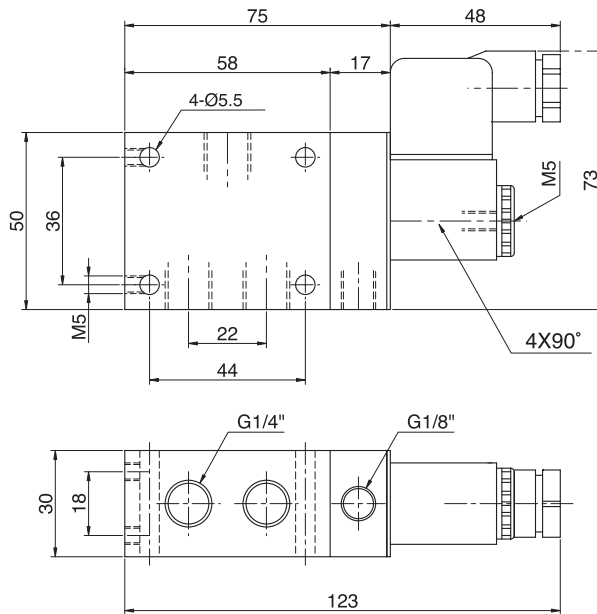
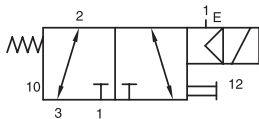
Operating specifications

Type	ME 05 312 – HN
Connection	G 1/8"
Nominal size	6 mm
Normal flow	750 NI/min
Pressure range	3 ~ 10bar
Response time at 6bar	on 13ms, off 18ms
Temperature range	-10°C ~ +70°C
Materials	<ul style="list-style-type: none"> ● Body : Al anodized, plastic ● Inner parts : Al, brass, stainless steel ● Seals : NBR and POM
Standard voltages	<ul style="list-style-type: none"> ● DC : 12V, 24V ● AC : 24V, 115V, 230V 50/60Hz
Power consumption	<ul style="list-style-type: none"> ● DC : 4.2W, AC : 7.0/4.0 VA ● also DC : 12V, 24V with 2.2W (max. 8bar operating pressure)
Degree of protection	IP 65 according to VDE 0470 / EN 60529
Weight	0,308Kg

Air control / Vacuum Control

► Order no. **ME 07 312 - HN - 1**

- 1 : AC 115V
- 2 : AC 220V
- 3 : DC 24V



Operating specifications

Type	ME 07 312 – HN
Connection	G 1/4"
Nominal size	9 mm
Normal flow	1580 NI/min
Pressure range	2,5 ~ 10bar
Response time at 6bar	on 15ms, off 22ms
Temperature range	-10°C ~ +70°C
Materials	<ul style="list-style-type: none"> ● Body : Al anodized, plastic ● Inner parts : Al, brass, stainless steel ● Seals : NBR and POM
Standard voltages	<ul style="list-style-type: none"> ● DC : 12V, 24V ● AC : 24V, 115V, 230V 50/60Hz
Power consumption	<ul style="list-style-type: none"> ● DC : 4,2W, AC : 7,0/4,0 VA ● also DC : 12V, 24V with 2,2W (max. 8bar operating pressure)
Degree of protection	IP 65 according to VDE 0470 / EN 60529
Weight	0,45Kg